

PARTS MANUAL

Model

**RG4300iS
Generator**

PUB-GP6052
Rev. 09/04

Robin America, Inc.

940 Lively Blvd. • Wood Dale, IL 60191 • Phone: 630-350-8200 • Fax: 630-350-8212
e-mail: sales@robinamerica.com • www.robinamerica.com

© Copyright 2004 Robin America, Inc.

MANUAL LAYOUT

1— SECTION 6 FUEL GROUP

2— FIG. 600

1— SECTION 6 FUEL GROUP

REF.	PART NO.	DESCRIPTION	QTY.	REMARKS	FROM-TO	FIG.
10	267-60103-01	FUEL TANK CP	1	YD, YS TYPE, BLACK		600
	267-60101-01	FUEL TANK CP	1	YELLOW		600
27	073-20039-00	LABEL, WARNING	1	YD, YS TYPE		600
30	043-04300-15	FUEL TANK CAP CP	1			600
31	267-95201-03	LABEL, EMISSION	1	YD, YS TYPE		600
40	064-13600-10	FUEL FILTER	1			600
50	064-20021-01	FUEL STRAINER AY	1			600
-1	064-20002-20	FILTER	1			600
-2	064-20002-30	GASKET	1			600
-3	064-20019-10	CUP	1			600

1. SECTION NAME Parts are broadly classified according to their functions. Refer to the Group Index (table of contents) for respective section name.
2. FIG. No. The FIG. number indexes the reference and part numbers to the illustration. Figure numbers that vary only in the tens place (i.e.: 700 and 710) are in a group of the same section (i.e.:Electrical Device Group).
3. REF. No . The Reference number identifies the part illustration with the corresponding part number in the part list.
4. SUBASSEMBLY SUBASSEMBLY parts of part assembly are listed below the assembly part. The subassembly part reference number is indicated by the number led by "-" such as "-1", "-2".
5. PART NUMBER It is the number assigned for sales unit. Use the PART No. when making an order.
6. DESCRIPTION It is designation of the part.
7. QTY. Quantity of each part used for each product.
8. REMARKS This gives a distinctive feature and/or a supplementary comment for the type, the specification, and the part concerned. It also shows part number(s) interchangeable for the part.
9. FROM-TO This section shows the CODE No. to indicate the history of progress in which improved parts have been introduced in the product. The FROM-TO CODE No. helps to identify PART No. being employed in the product concerned. See the examples below:
 - The part is used in the product irrespective of CODE No.
 - 2101- The part is used in the products with CODE No. of 2101 and after this number.
 - 2100 The part is used in the products with CODE No. of 2100 and before this number.

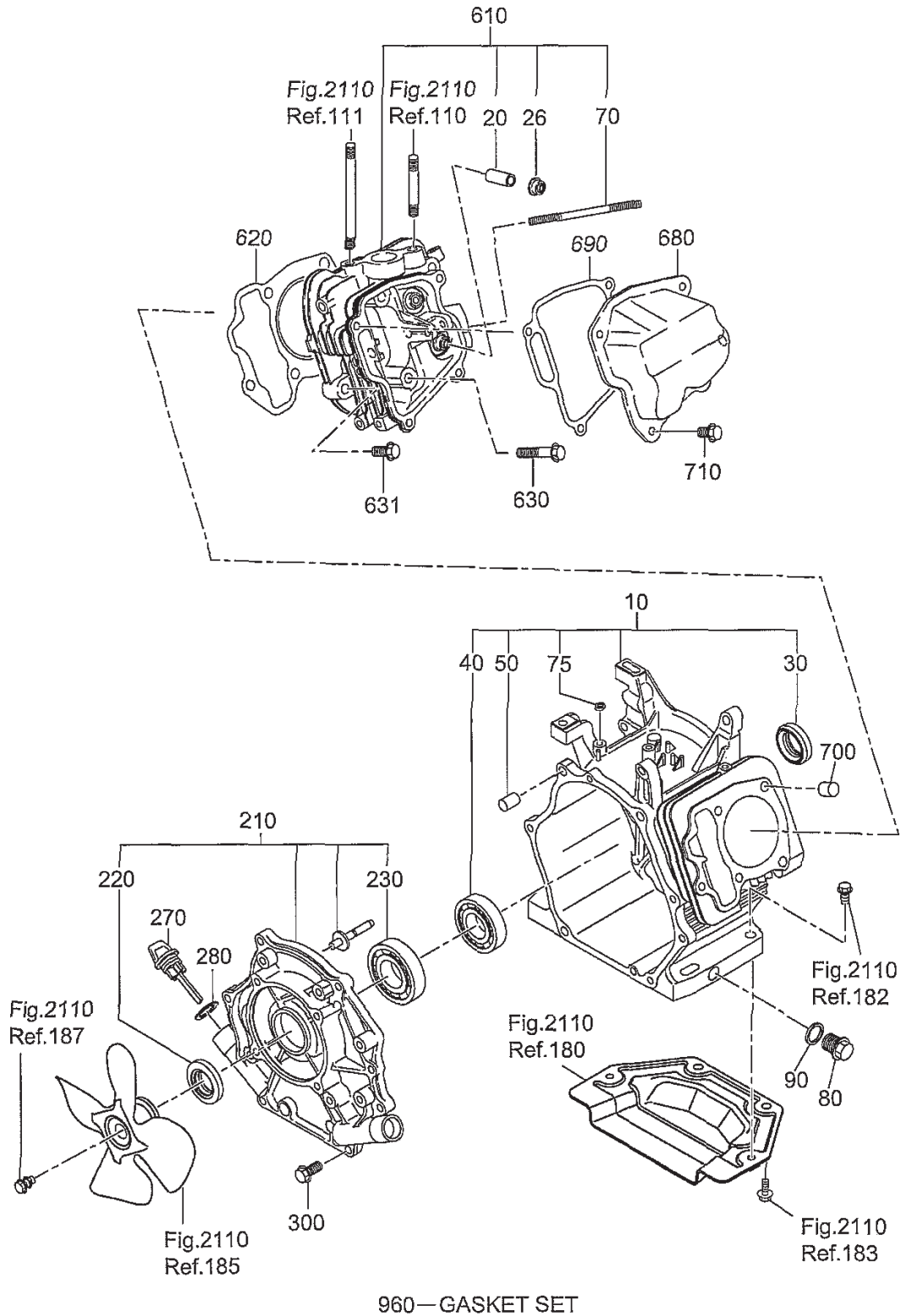
GROUP INDEX

Group Name	Page
CRANKCASE	6
CRANKSHAFT, PISTON	8
INTAKE, EXHAUST	10
GOVERNOR, OPERATION.....	12
ELECTRIC DEVICE	14
ENGINE.....	18
GENERATOR	28
BASE, FRAME	30
CONTROL.....	32
COVER.....	36
FUEL TANK	40
ACCESSORY GROUP	42

INDEX OF DESCRIPTION SYMBOLS			
SYMBOL	DESCRIPTION	SYMBOL	DESCRIPTION
AY	ASSEMBLY	P=	PITCH (in mm)
CP.....	COMPLETE	P.T.O. (PTO)	POWER TAKE OFF
EX.....	EXPORT (from Japan)	REF.....	REFERENCE
FIG.....	FIGURE	R.H. (RH).....	RIGHT HAND SIDE
FR.....	FRONT	RR.....	REAR
"	INCH	STD.	STANDARD
INCL.	INCLUDE	SW.....	SWITCH
~L.....	LITER	T=	THICKNESS (in mm)
L=	LENGTH (in. mm)	UN	UNIT
L.H. (LH).....	LEFT-HAND SIDE	U.S.....	UNDER SIZE
MECH.....	MECHANICAL	~V	VOLTAGE
NO (NON).....	NONE	~W	WATT
OPT.....	OPTIONAL	W/	WITH
O.S.	OVER SIZE	W/O	WITHOUT

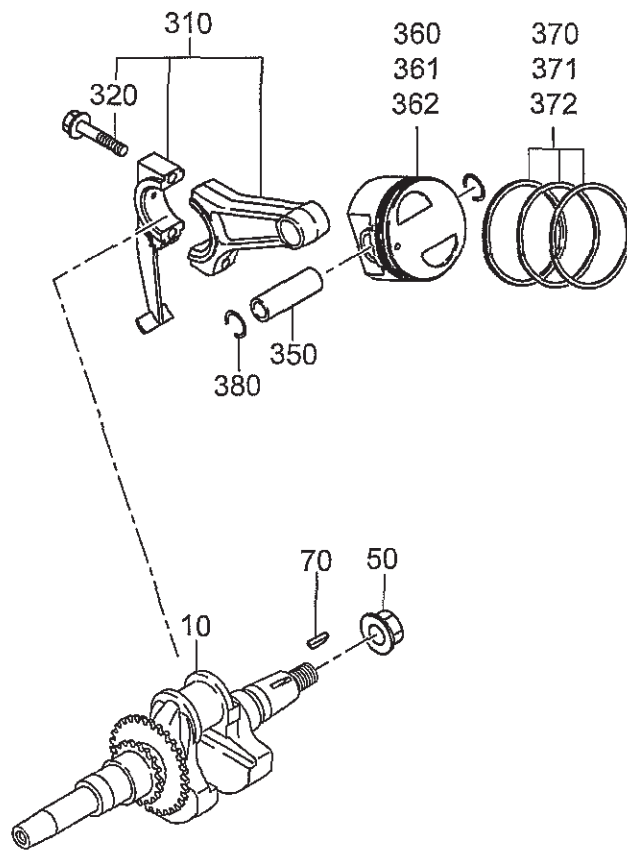
SECTION 1 CRANKCASE GROUP

FIG. 100



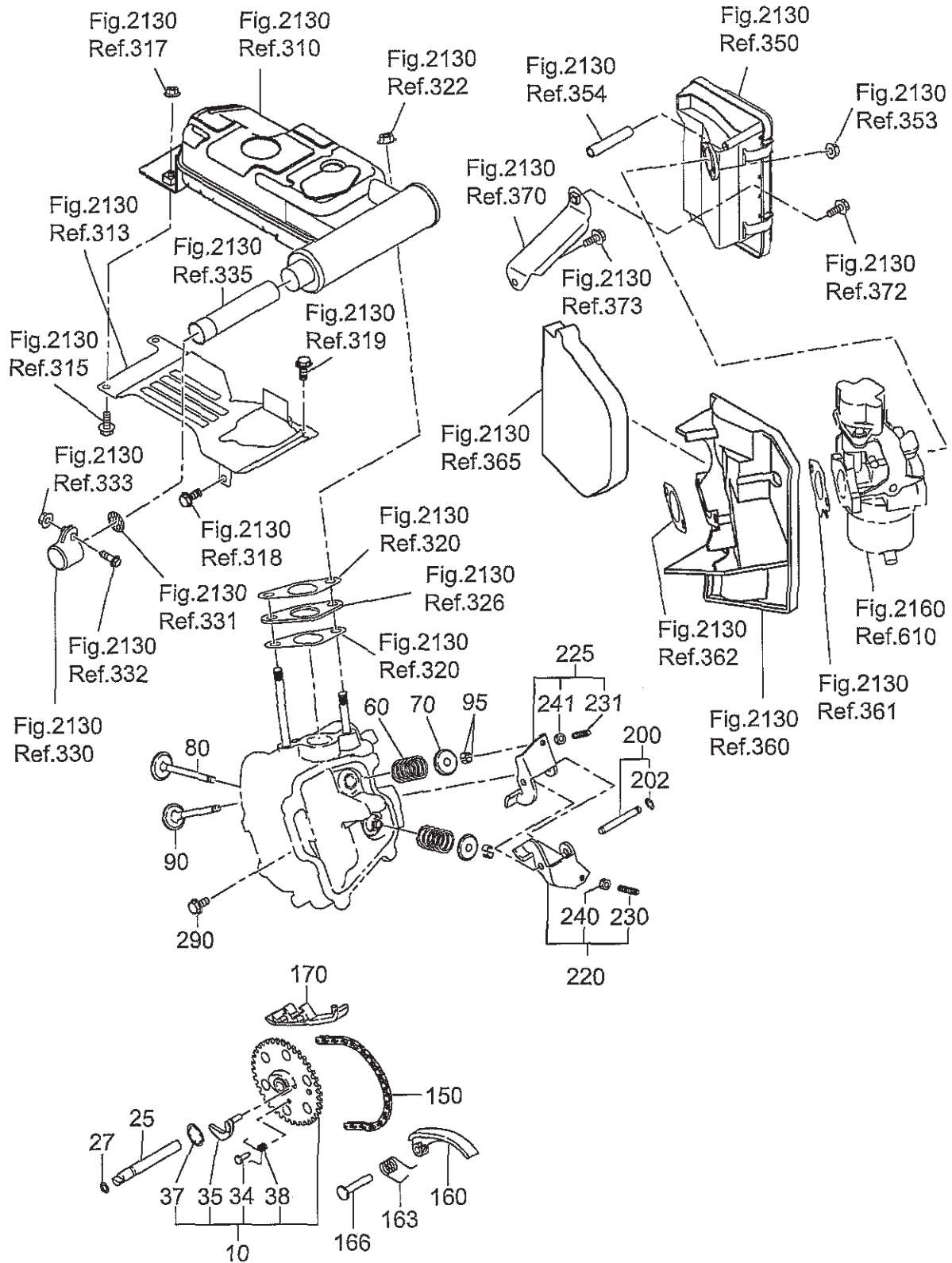
SECTION 2 CRANKSHAFT, PISTON GROUP

FIG. 200



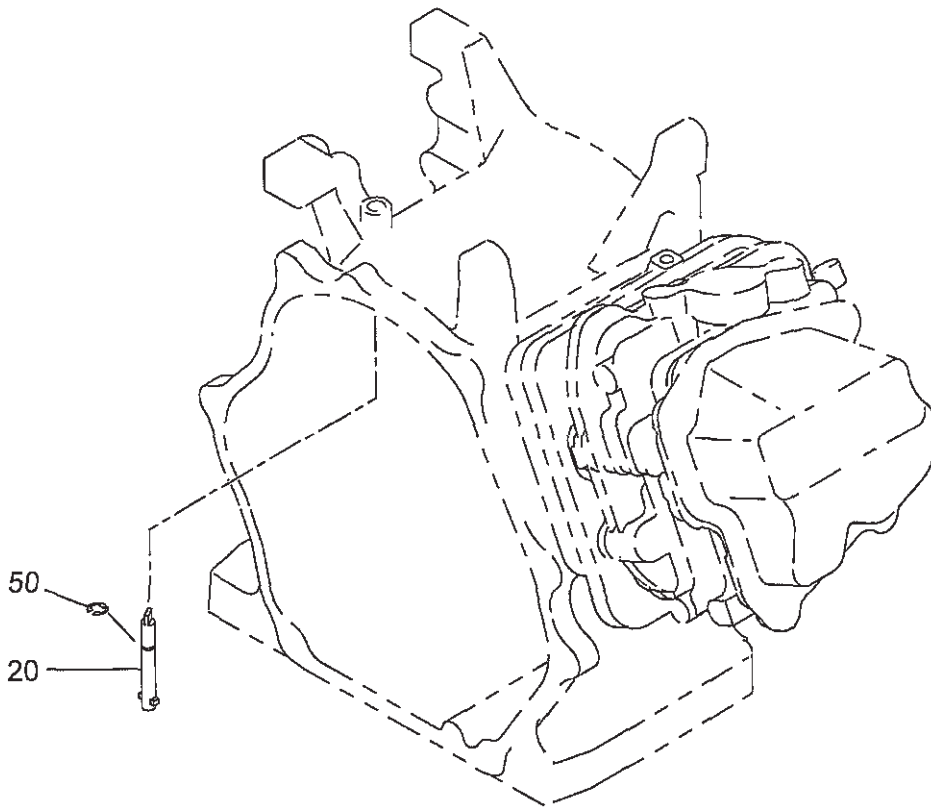
SECTION 3 INTAKE, EXHAUST GROUP

FIG. 300



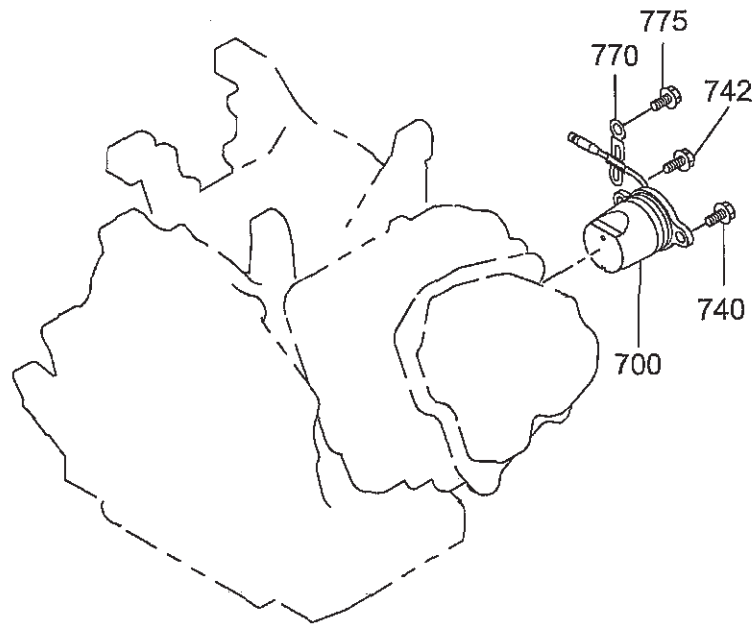
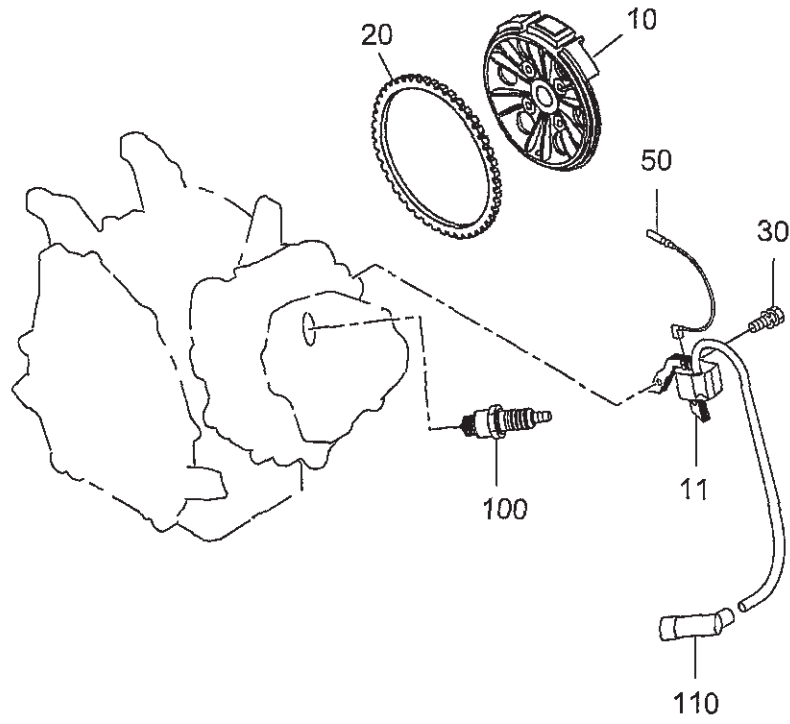
SECTION 4 GOVERNOR, OPERATION GROUP

FIG. 400



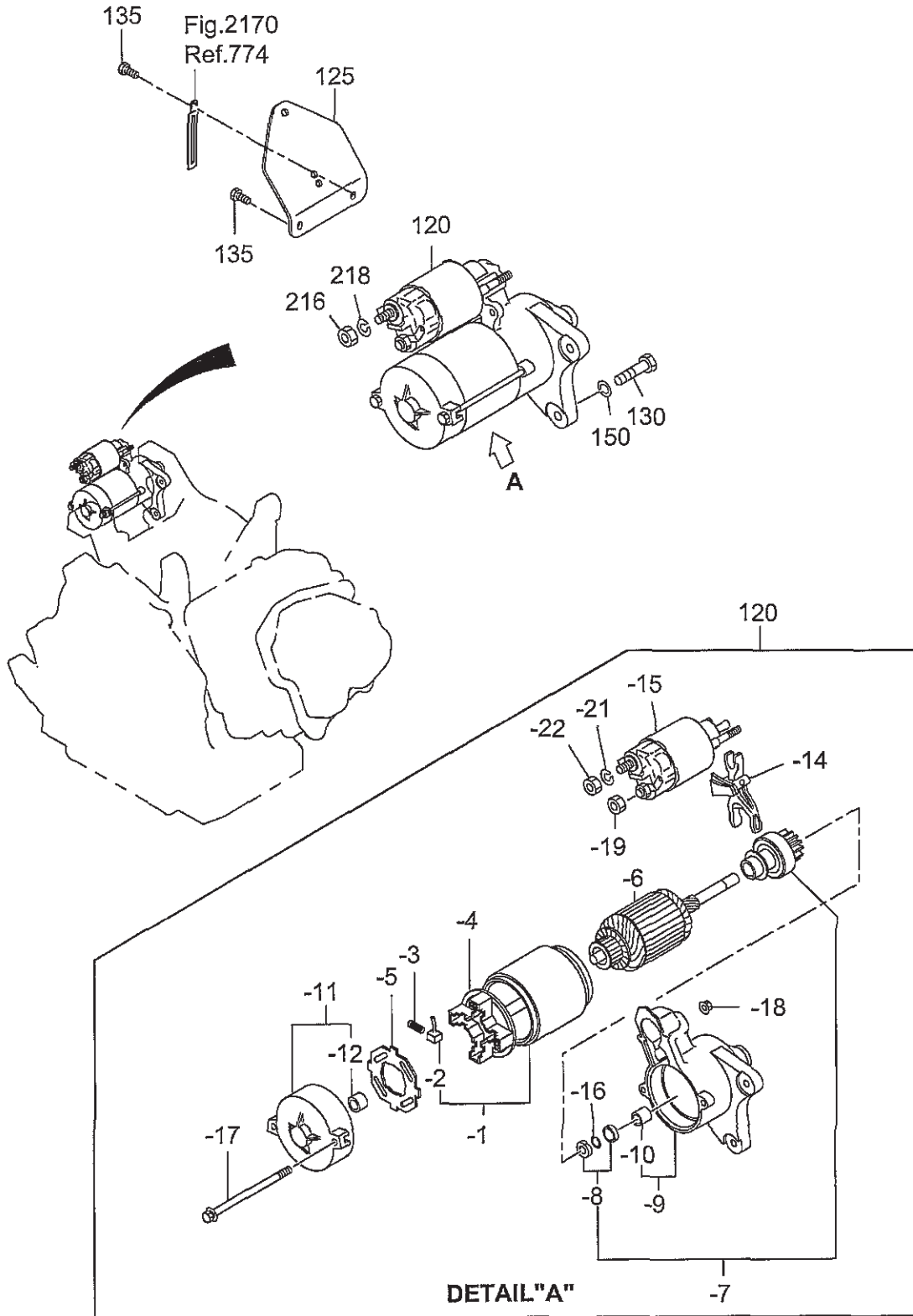
SECTION 7 ELECTRIC DEVICE GROUP

FIG. 700



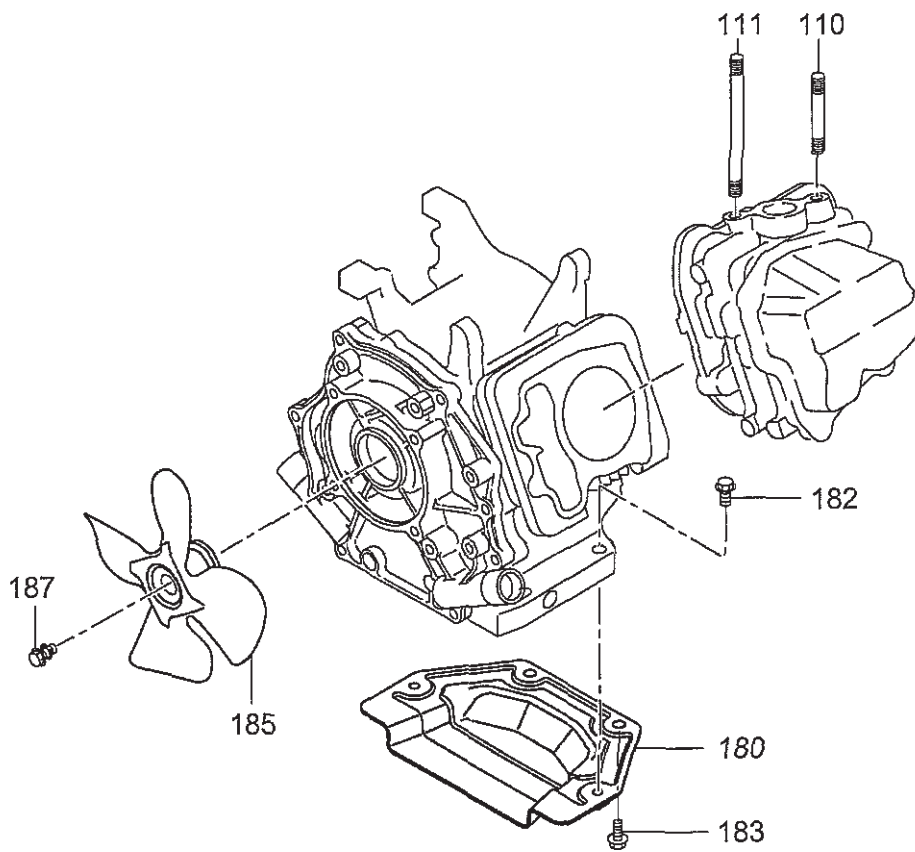
SECTION 7 ELECTRIC DEVICE GROUP

FIG. 720



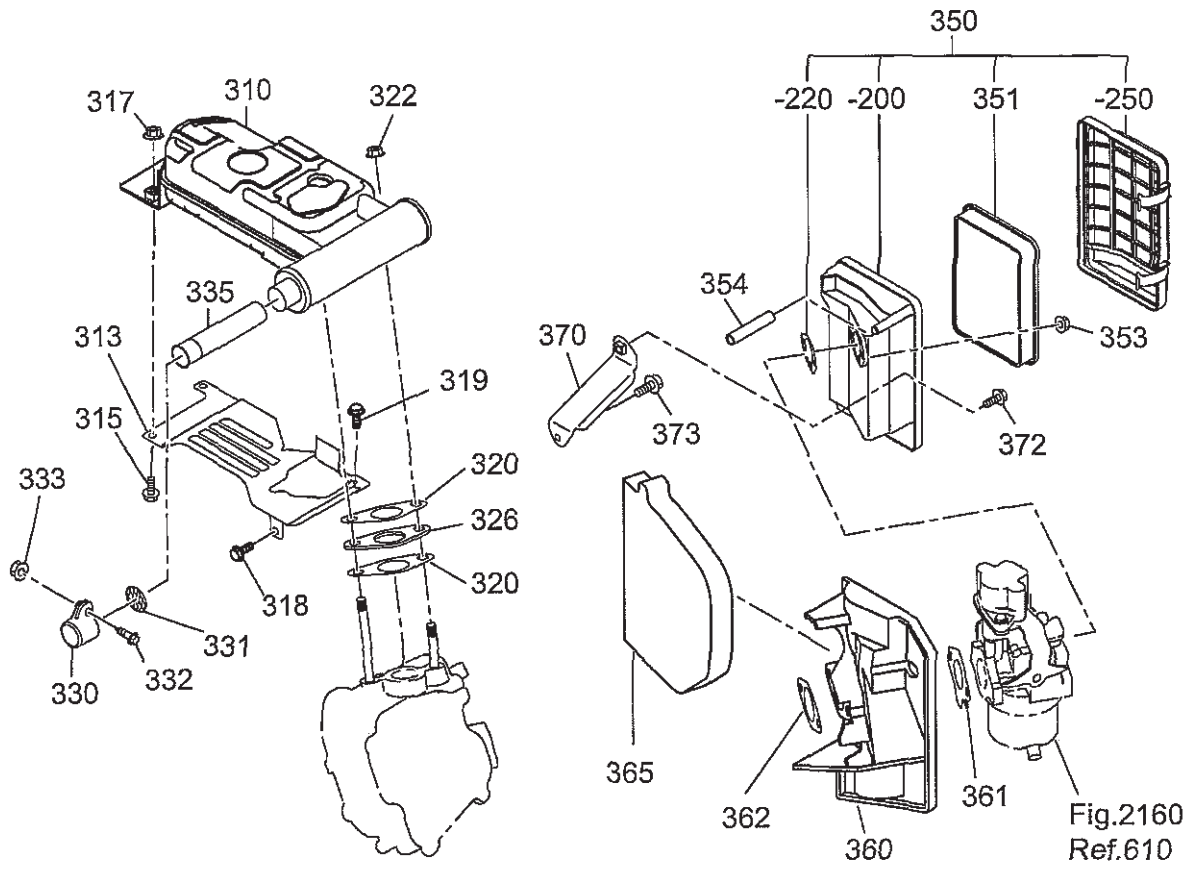
SECTION 21 ENGINE GROUP

FIG. 2110



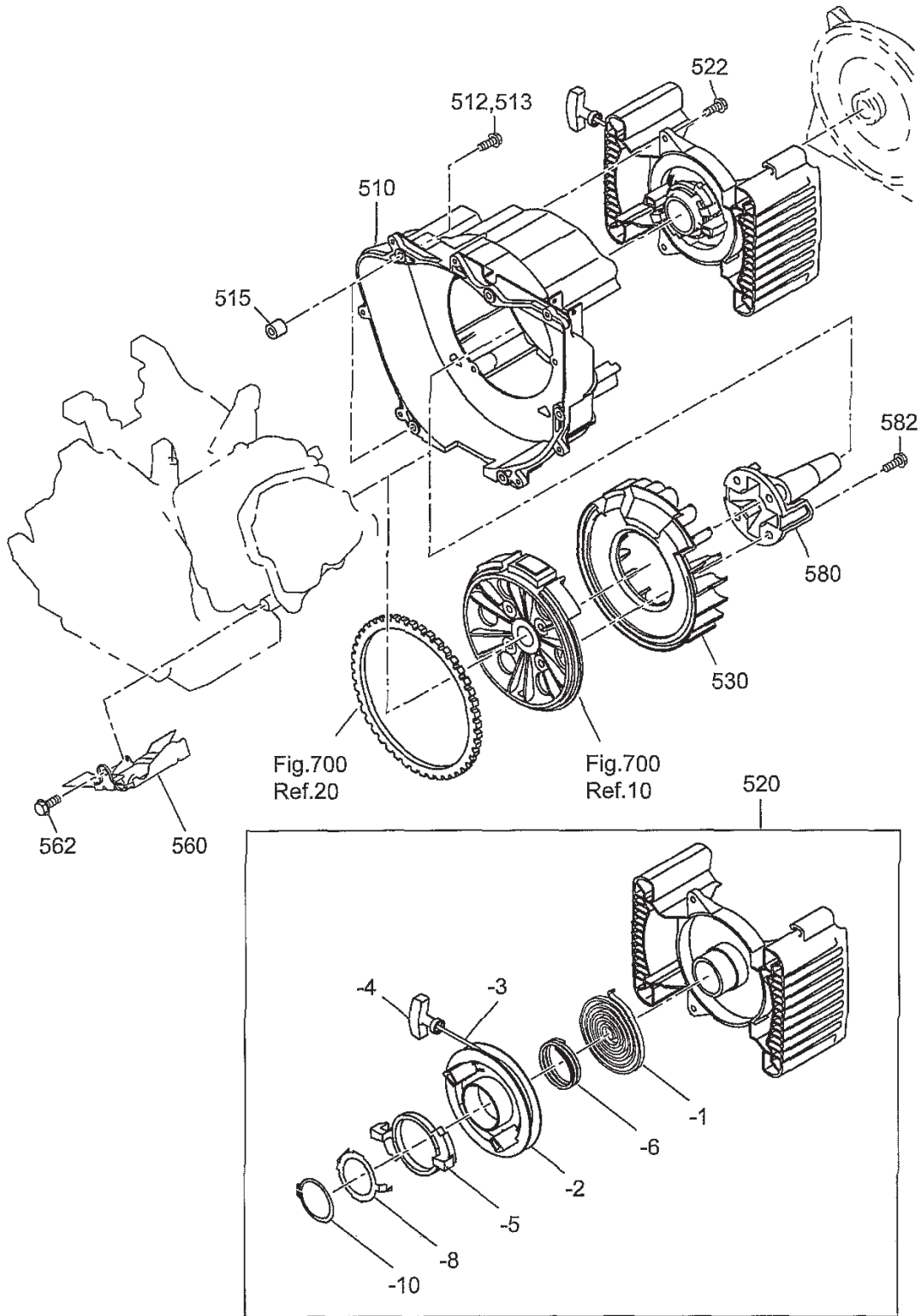
SECTION 21 ENGINE GROUP

FIG. 2130



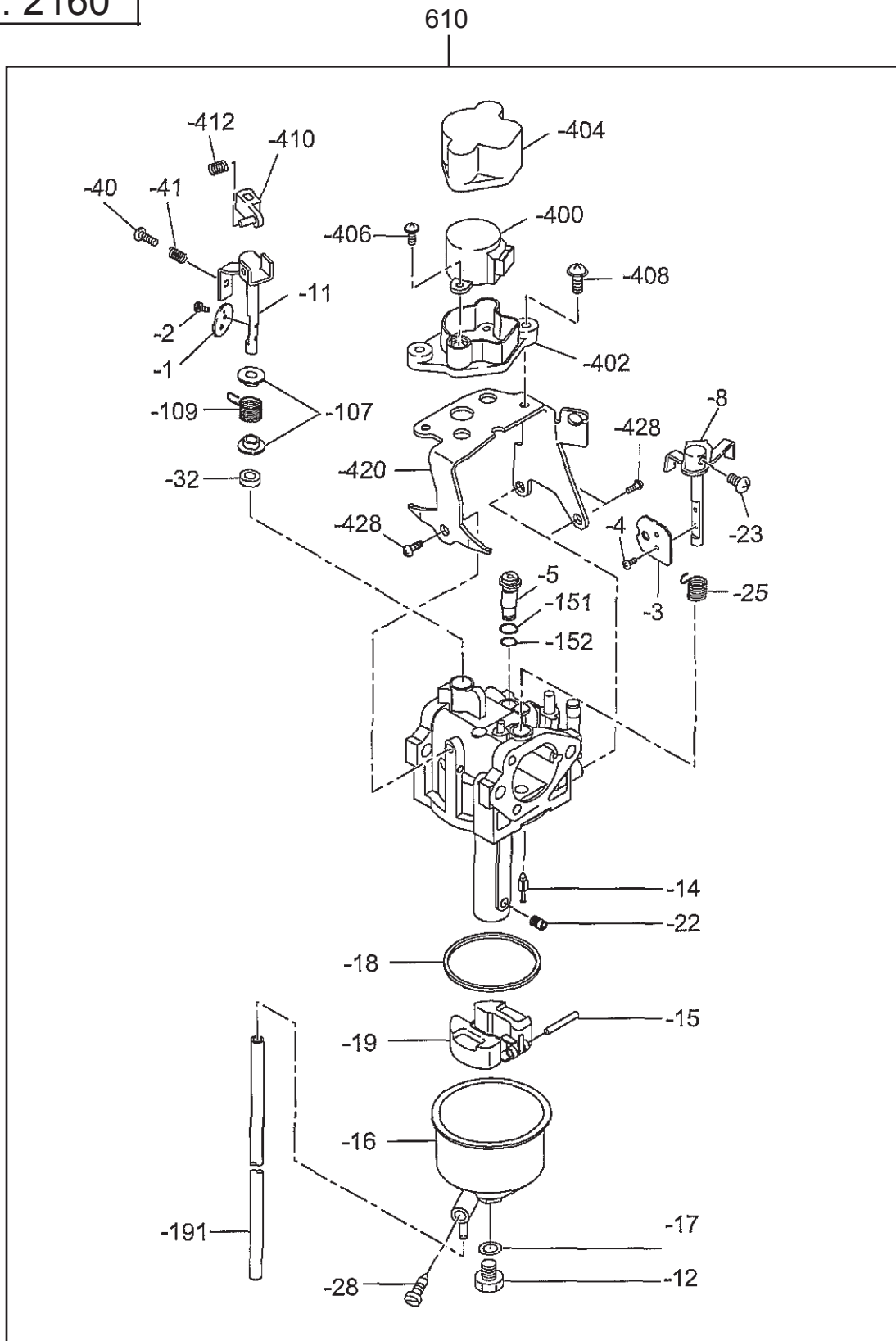
SECTION 21 ENGINE GROUP

FIG. 2150



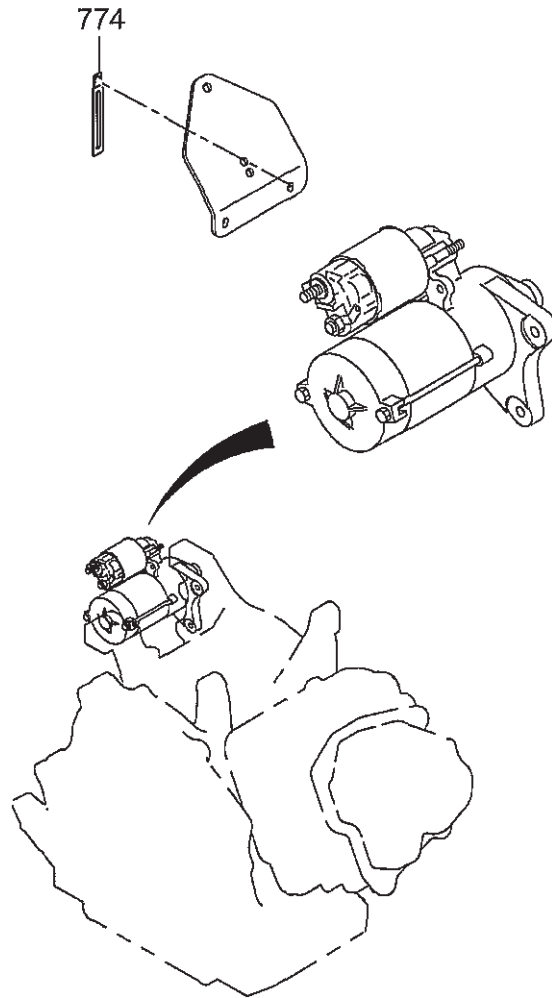
SECTION 21 ENGINE GROUP

FIG. 2160



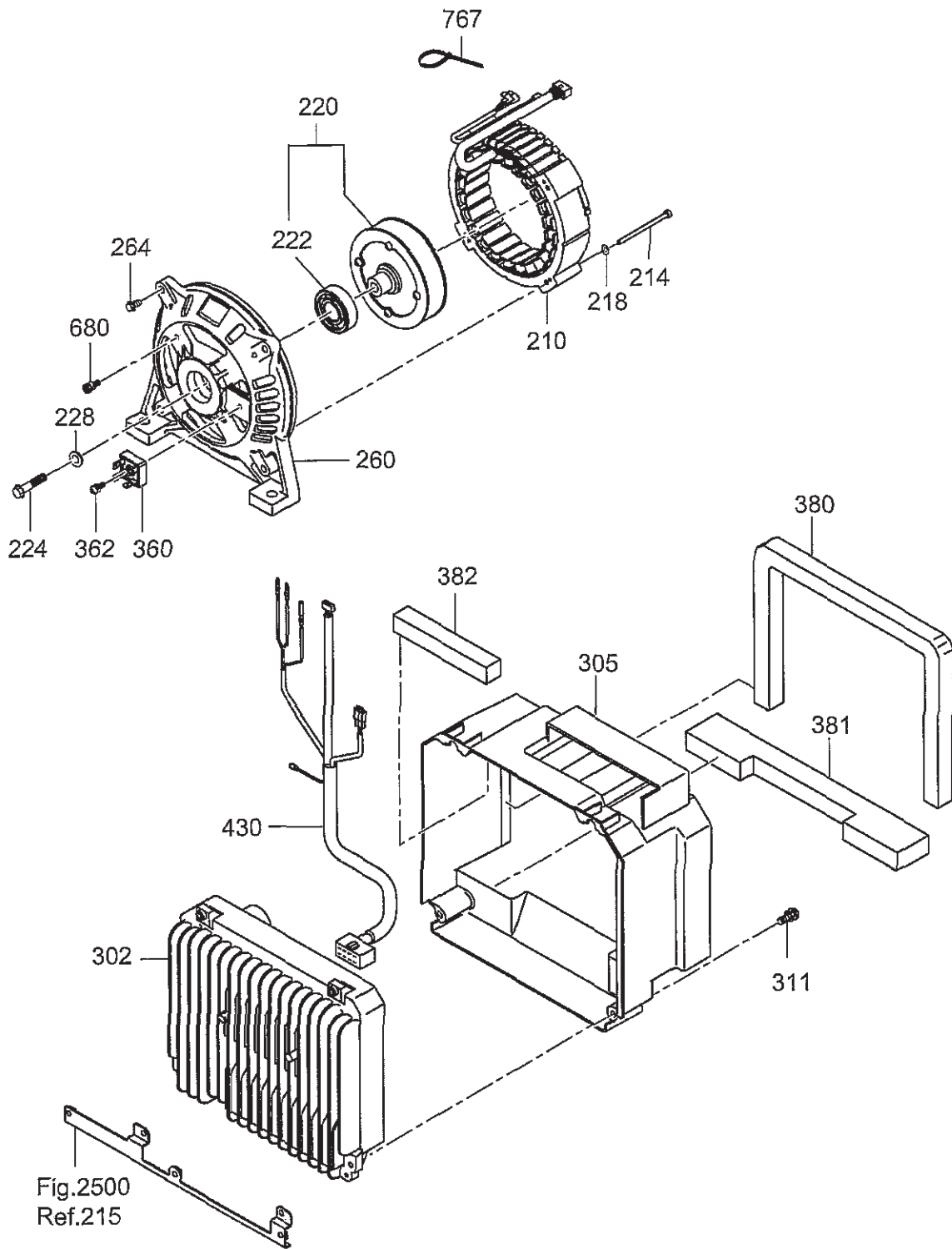
SECTION 21 ENGINE GROUP

FIG. 2170



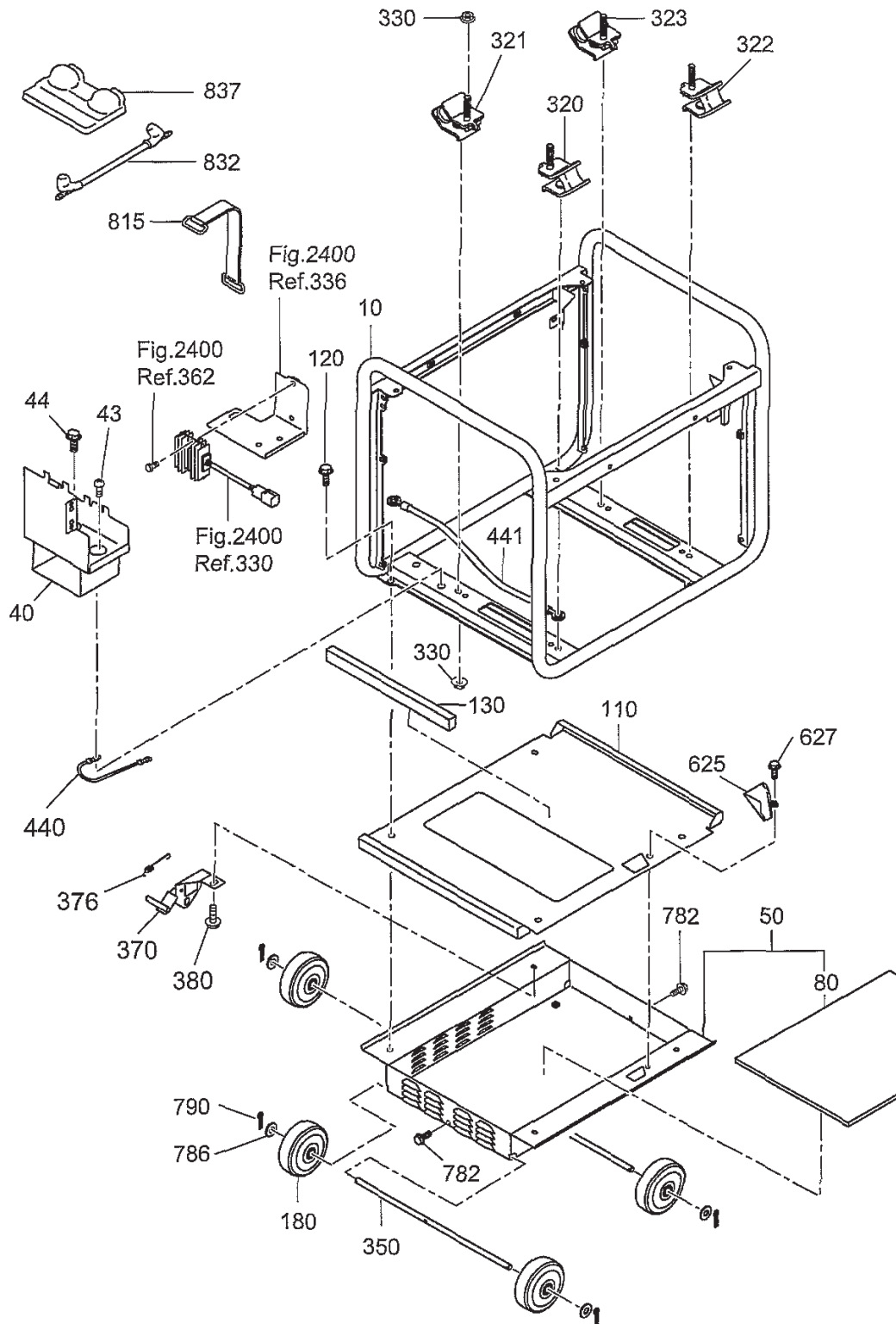
SECTION 22 GENERATOR GROUP

FIG. 2200



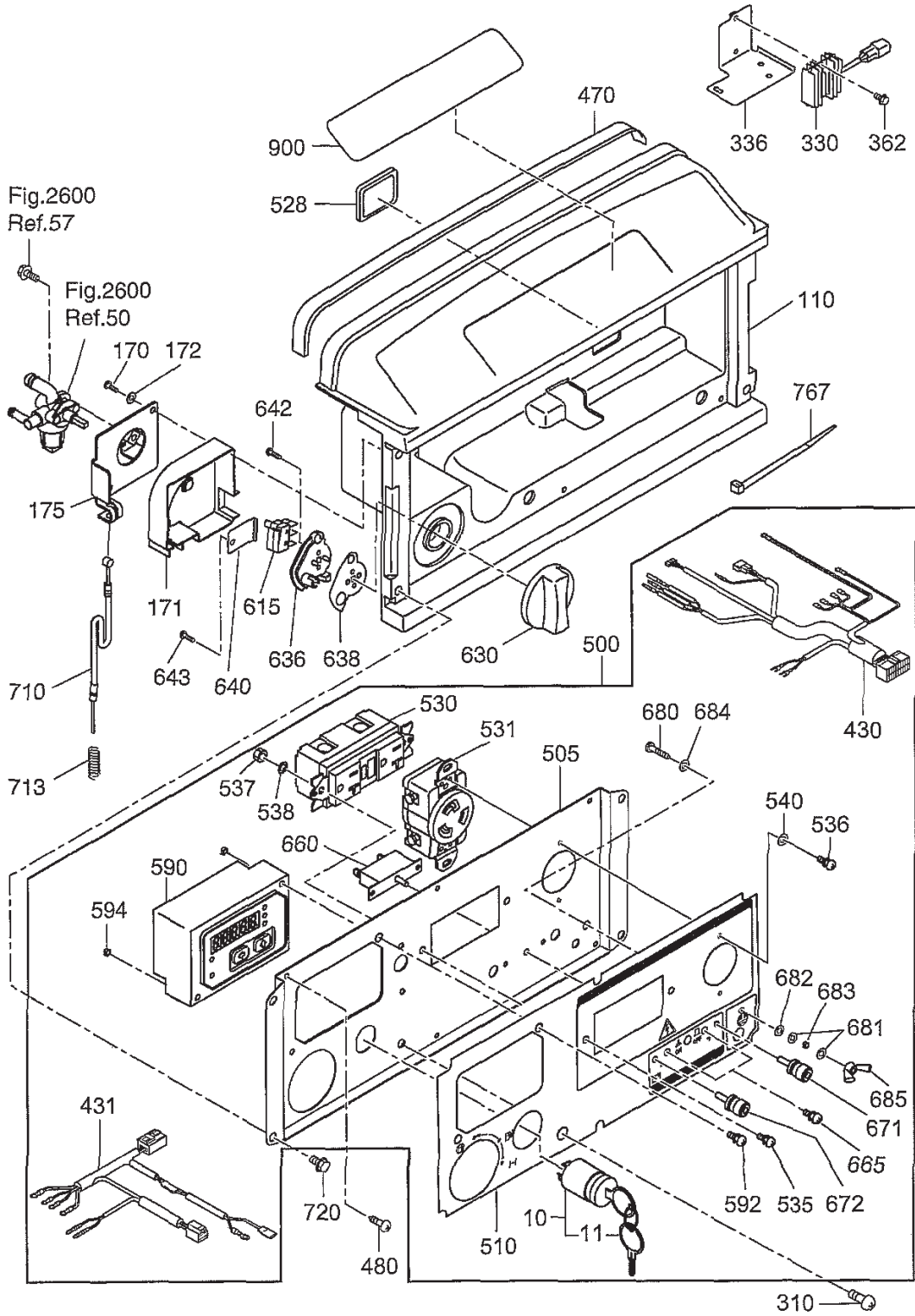
SECTION 23 BASE, FRAME GROUP

FIG. 2300



SECTION 24 CONTROL GROUP

FIG. 2400

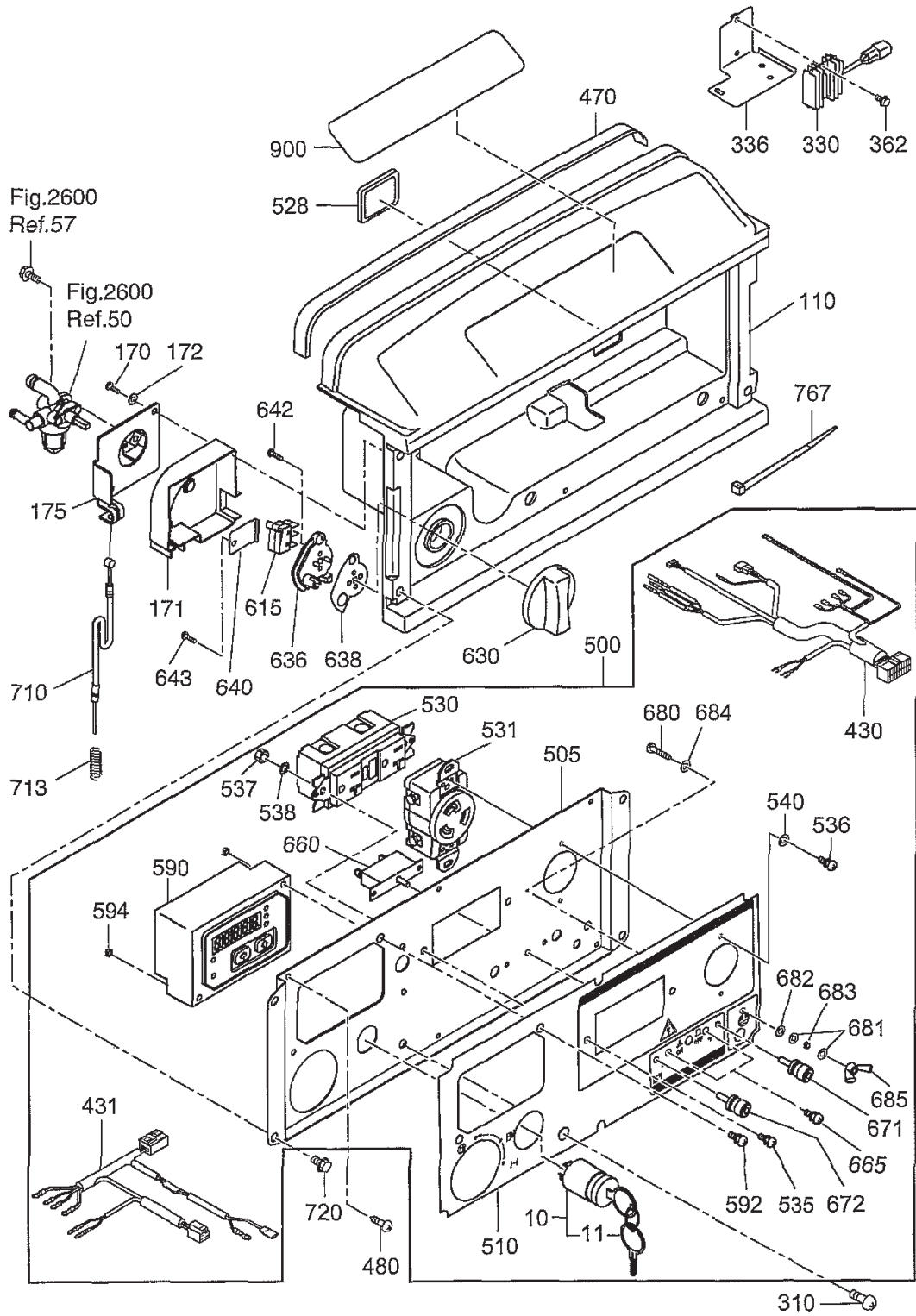


SECTION 24 CONTROL GROUP

REF	PART NO	DESCRIPTION	QTY	REMARKS	FROM - TO	FIG
10	066-00003-30	KEY SWITCH	1			2400
11	066-00099-80	KEY	2			2400
110	33B-50001-01	FRONT COVER, upper	1			2400
170	015-00400-70	TAPPING SCREW	2			2400
171	33B-46001-03	COVER, cock	1			2400
172	003-10040-00	WASHER	2			2400
175	33B-46012-01	BRACKET, cock	1			2400
310	004-36061-60	SCREW and WASHER	2			2400
330	33B-47502-01	REGULATOR	1			2400
336	33B-35801-02	BRACKET, regulator	1			2400
362	011-00600-50	FLANGE BOLT	2			2400
430	34B-48001-01	WIRE HARNESS	1			2400
431	34B-48052-01	WIRE HARNESS	1			2400
470	34B-57311-03	SEAL SPONGE	1			2400
480	353-49904-08	TAPPING SCREW	6			2400
500	34D-45921-00	CONTROL PANEL	1			2400
505	33B-45013-01	PANEL PLATE	1			2400
510	34B-49119-03	SHEET	1			2400
528	227-75001-03	GROMMET	1			2400
530	388-85003-01	AC CONNECT, GFCI	1			2400
531	356-45711-08	AC CONNECT, NEMA	1			2400
535	004-35041-00	SCREW and WASHER	2			2400
536	356-59937-08	SCREW	2			2400
537	002-27040-08	NUT	2			2400
538	003-10040-00	WASHER	2			2400
540	326-00335-08	SPRING WASHER	2			2400
590	KU3-11760-11	MONITOR C/U	1			2400
592	013-10400-80	SCREW and WASHER	2			2400
594	002-17040-00	NUT	2			2400
615	33K-41811-03	MICRO SWITCH	2			2400
630	33K-42010-03	CONTROL DIAL	1			2400
636	33K-42020-03	CHOKE REEL	1			2400
638	33K-42030-13	PLATE	1			2400
640	33B-46015-01	BRACKET, micro	1			2400
642	33K-41814-08	TAPPING SCREW	2			2400
643	015-00400-70	TAPPING SCREW	1			2400
660	352-45620-08	CIRCUIT BREAKER	1			2400
665	31B-79011-03	SCREW	2			2400
671	363-45701-08	TERMINAL BOLT	1	Red		2400
672	363-45700-08	TERMINAL BOLT	1	Black		2400
680	388-88001-03	SCREW and WASHER	1			2400
681	332-00050-08	SPRING WASHER	2			2400
682	353-49903-08	WASHER	1			2400
683	353-49902-08	NUT	1			2400
684	003-30050-00	LOCK WASHER	1			2400
685	353-49901-03	WING NUT	1			2400

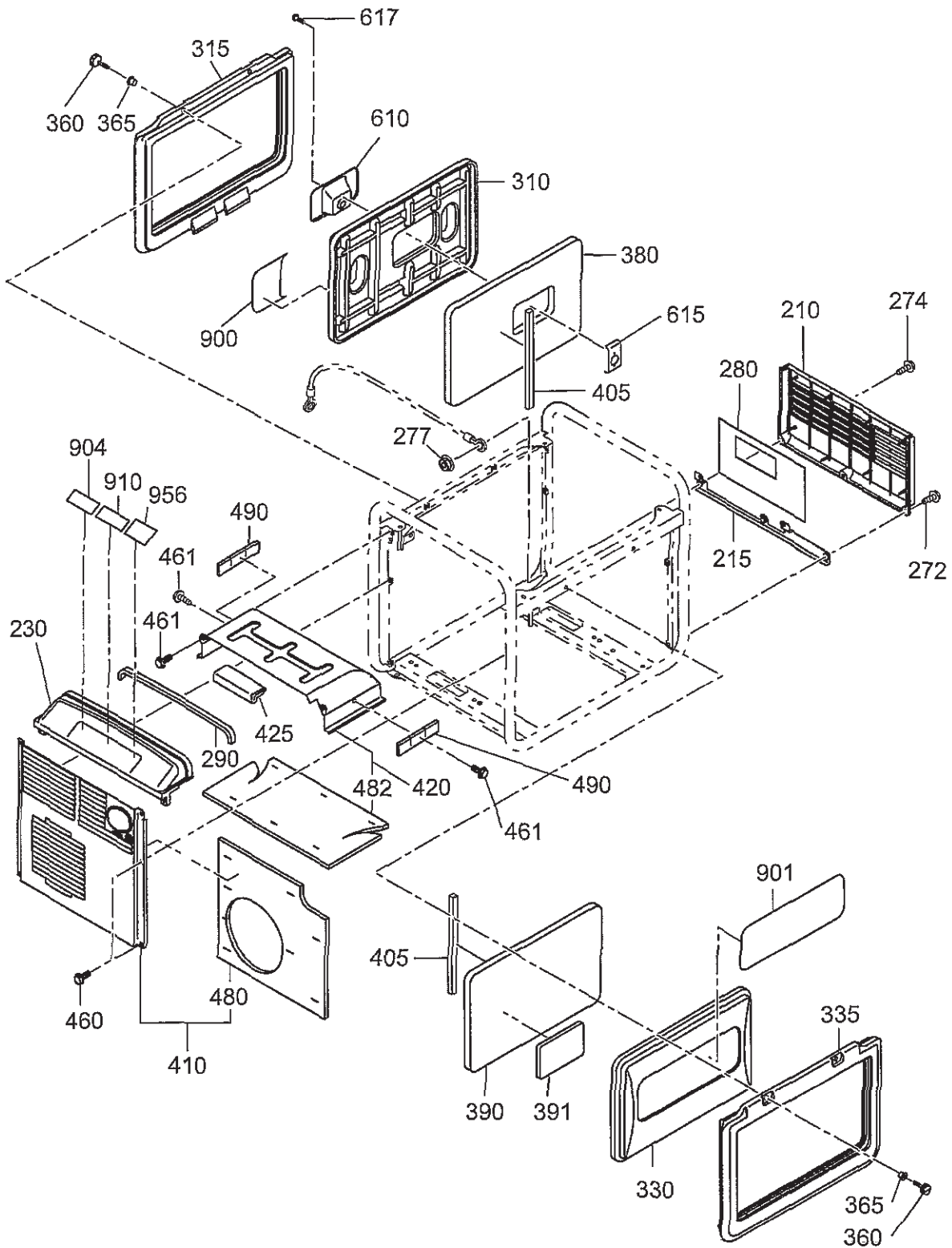
SECTION 24 CONTROL GROUP

FIG. 2400



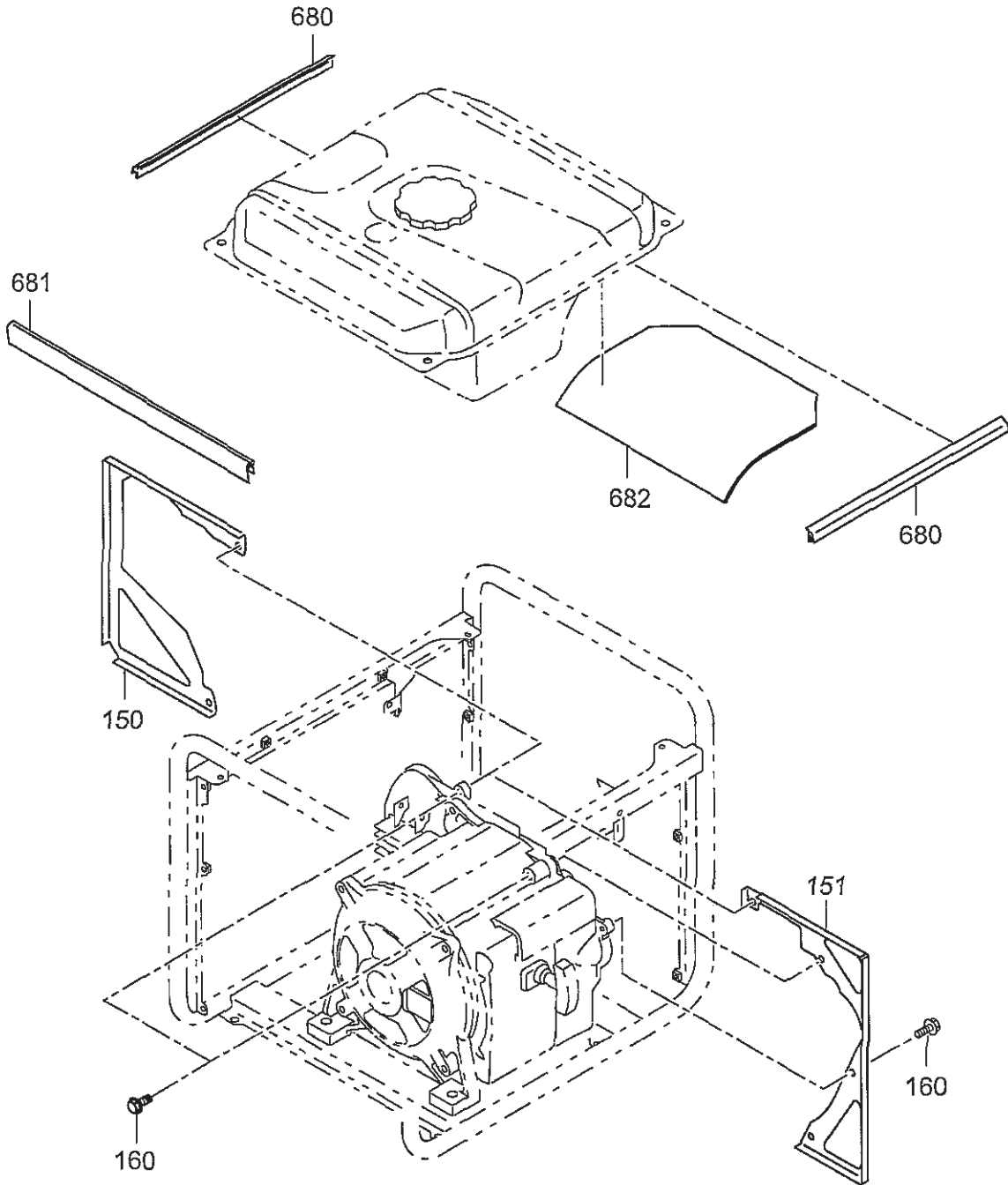
SECTION 25 COVER GROUP

FIG. 2500



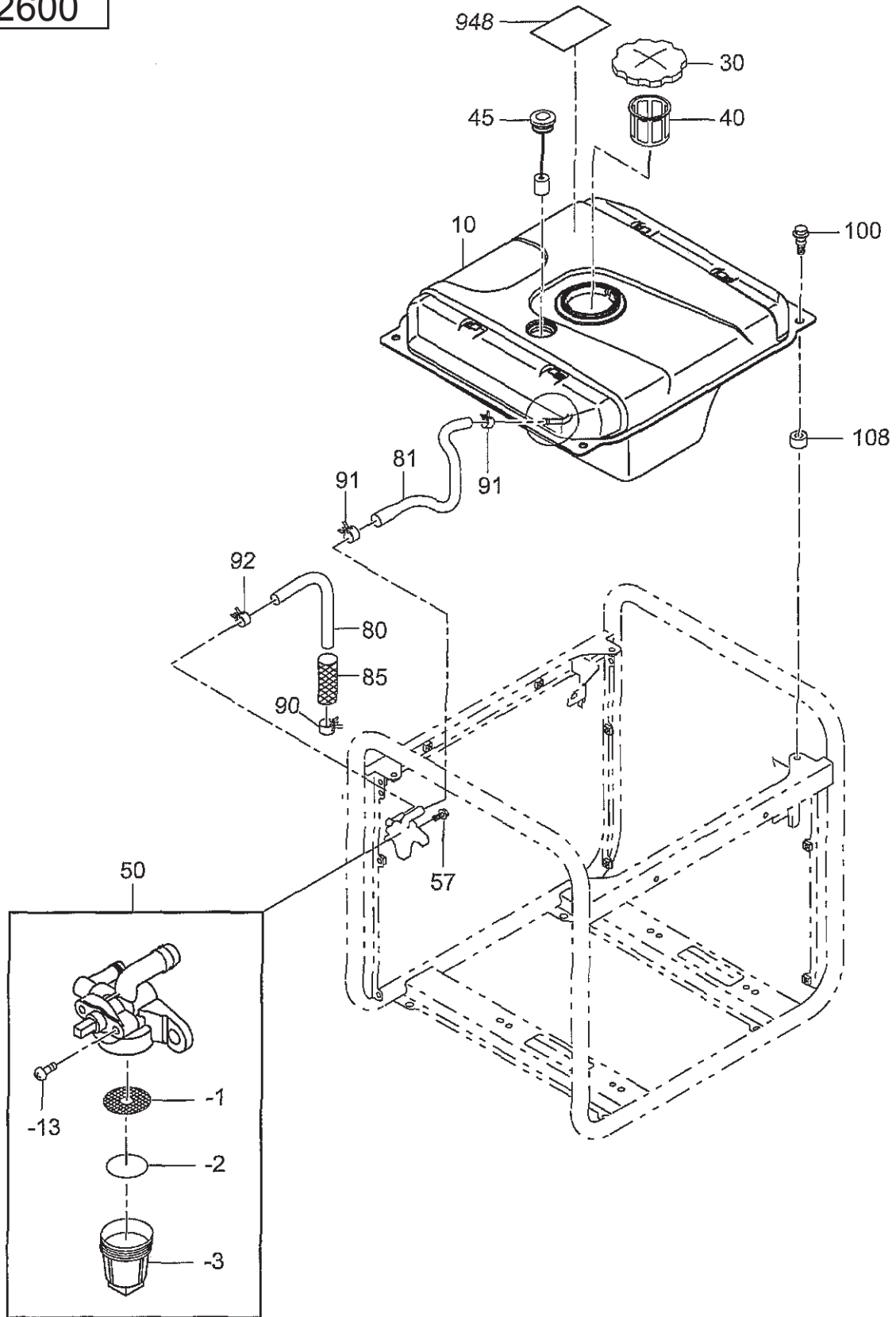
SECTION 25 COVER GROUP

FIG. 2510



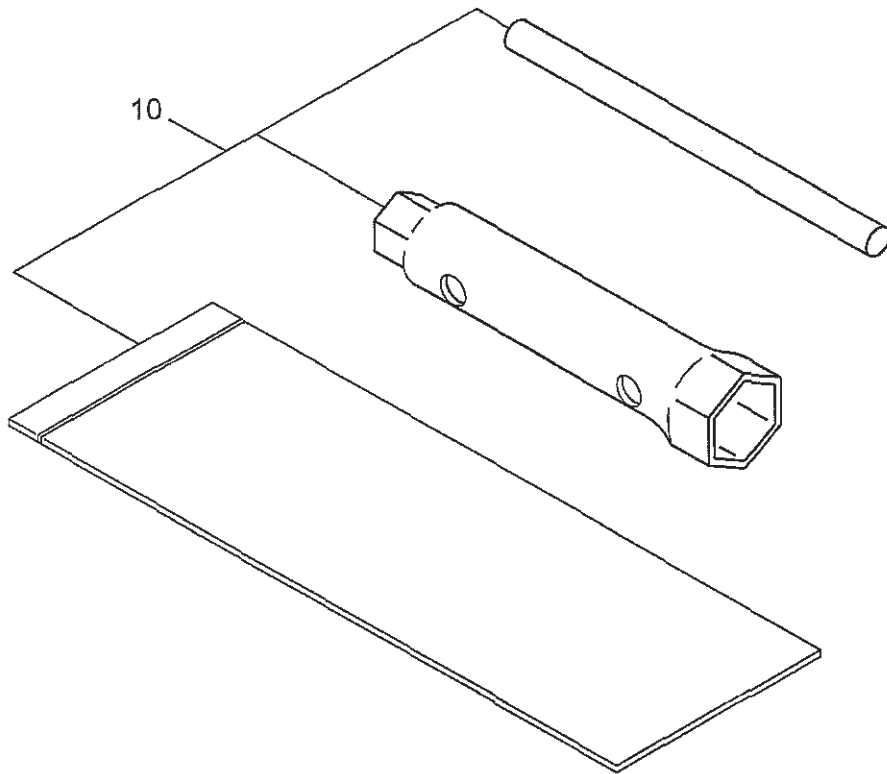
SECTION 26 FUEL TANK GROUP

FIG. 2600



SECTION 29 ACCESSORIES GROUP

FIG. 2900



PRINTED IN THE USA